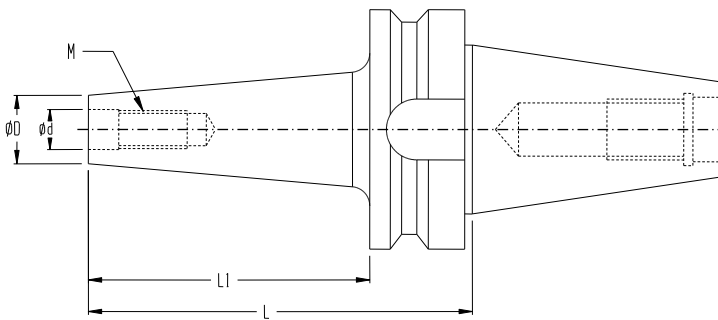


BT 鎖牙連接式刀把

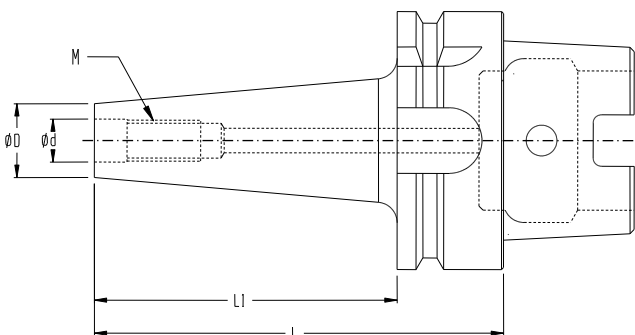
BT ARBOR FOR SCREW-IN MILLING CUTTER



規格 SPECIFICATION	M	d	D	L1	L
BT40-M06-80	6	6.5	11	53	80
BT40-M08-80	8	8.5	13	53	80
BT40-M08-80	8	8.5	13	73	100
BT40-M10-80	10	10.5	18	53	80
BT40-M10-100	10	10.5	18	73	100
BT40-M12-80	12	12.5	21	53	80
BT40-M12-100	12	12.5	21	73	100
BT40-M16-180	16	17	29	53	80
BT40-M16-100	16	17	29	73	100
BT50-M08-100	8	8.5	13	62	100
BT50-M08-120	8	8.5	13	82	120
BT50-M10-100	10	10.5	18	62	100
BT50-M10-120	10	10.5	18	82	120
BT50-M12-100	12	12.5	21	62	100
BT50-M12-120	12	12.5	21	82	120
BT50-M16-100	16	17	29	62	100
BT50-M16-120	16	17	29	82	120

HSK63A 鎖牙連接式刀把

HSK 63A ARBOR FOR SCREW-IN MILLING CUTTER



規格 SPECIFICATION	M	d	D	L1	L
HSK63A-M06-80	6	6.5	11	-	80
HSK63A-M08-80	8	8.5	13	54	80
HSK63A-M08-100	8	8.5	13	74	100
HSK63A-M10-80	10	10.5	18	54	80
HSK63A-M10-100	10	10.5	18	74	100
HSK63A-M12-80	12	12.5	21	54	80
HSK63A-M12-100	12	12.5	21	74	100
HSK63A-M16-80	16	17	29	54	80
HSK63A-M16-100	16	17	29	74	100